



## ZeroSpot™

Portable deionized water rinsing system

### Features

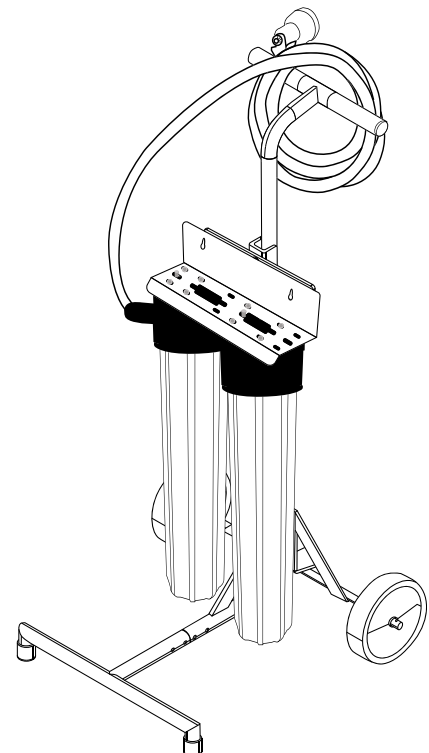
- Deionized water eliminates hard water spots
- Spotless shine, every time!
- Premium grade deionizer resin
- Dual stage 20" jumbo housing kit maximizes treatment capacity
- Simple design easy to assemble and use
- Highly versatile mobile cart with rugged all terrain wheels
- Solid steel construction with corrosion resistant coating
- Plug-and-play design with universal garden hose connection adaptors
- Detachable housing bracket can be wall mounted if required
- Superior craftsmanship with durable quality
- Front stabilizer bar ensures cart stability on slopes and inclines
- Comes with TDS meter

Eliminate hard water spots on your car, boat, plane, or windows with GWS ZeroSpot™. Perfect for car detailing and for your home. The portable system is capable of producing hundreds of gallons\* of deionized water. Spotless shine, every time!

\*Results may vary depending on actual water quality.

### Specifications

Product Series Name	ZeroSpot™
Water Supply	Water Quality: City Water Max. Pressure: 8.6 bar   125 psi (based on filter housing rating) Recommended Pressure: 3 bar   45 psi Max. Flowrate: 9.5 LPM / 2.5 GPM Recommended Flowrate: 4.5 LPM / 1 GPM Temperature: 5°C - 40°C / 40°F - 104°F
Plumbing	Inlet Water Connection & Garden Hose Connection: ZS40B: 3/4" Male BSPT Connector ZS40N: 3/4" Male NH Connector



**Please note:** garden hose and spray nozzle are not included with the system.

Where Water Gets Better