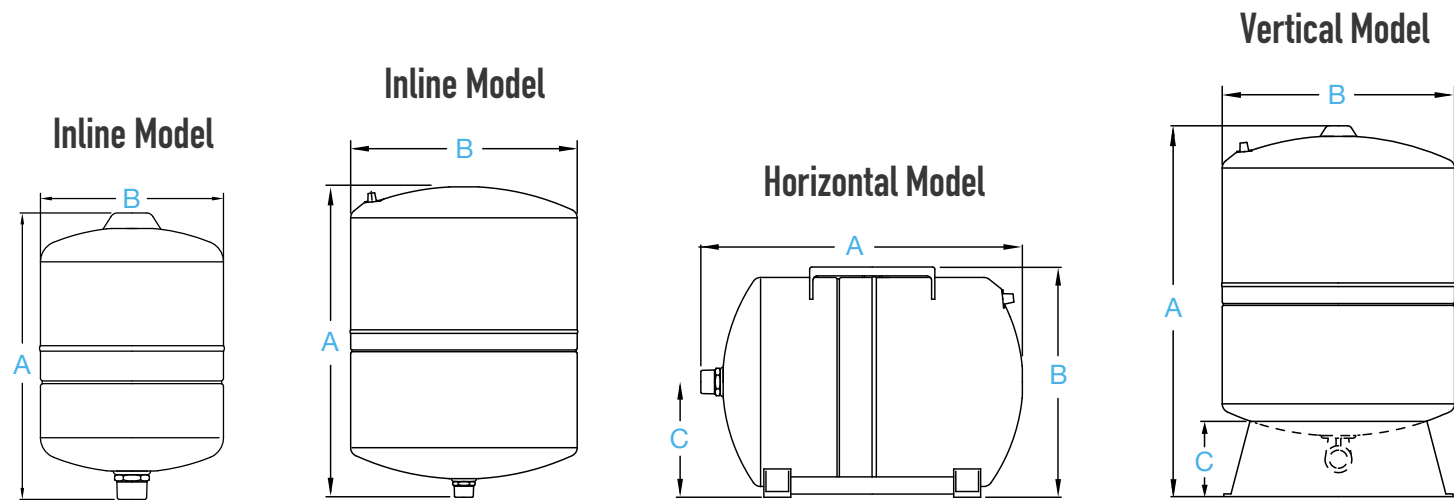


# Pump Applications PressureWave™



## Specifications

Materials	Carbon Steel Tank Exterior Polyurethane & Epoxy Paint Finish 100% Chlorobutyl Diaphragm Pure Polypropylene Liner
Volume	0.5 - 40 gal   2 - 150 L
Connection	Standard 1" NPT
Maximum working pressure	150 psi   10 bar
Maximum operating temperature	194°F   90°C
Factory pre-charge	38 psi   2.6 bar

Note: Minor dimensional variations may occur. All connections are stainless steel unless stated otherwise.

Model	Nominal Volume		Net Weight		Gross Weight		Dimensions					
	gallon	liter	lb	kg	lb	kg	A		B		C	
							in	cm	in	cm	in	cm
<b>Inline Models</b>												
PWN-US-8LX	2.1	8	4.69	2.13	5.46	2.48	12.32	31.56	7.95	20.20		
PWN-US-12LX	3.2	12	6.01	2.73	7.07	3.21	14.45	36.70	9.06	23.00		
PWN-US-18LX	4.8	18	7.91	3.59	8.97	4.07	14.45	36.70	10.98	27.90		
PWN-US-35LX	9.3	35	14.15	6.42	15.87	7.20	18.90	48.10	12.52	31.80		
<b>Horizontal Models</b>												
PWN-US-20LH	5.3	20	9.56	4.34	11.00	4.99	17.60	44.70	11.57	29.20	5.79	14.50
PWN-US-24LH	6.3	24	11.59	5.26	13.22	6.00	17.60	44.70	12.64	32.10	6.34	16.10
PWN-US-60LH	15.9	60	22.77	10.33	25.37	11.51	20.87	53.00	16.69	42.40	8.46	21.50
PWN-US-80LH	21.1	80	31.83	14.44	35.69	16.19	28.58	72.60	16.69	42.40	8.46	21.50
PWN-US-100LH	26.4	100	38.62	17.52	43.71	19.83	28.35	72.00	18.70	47.50	9.65	24.50
<b>Vertical Models</b>												
PWN-US-60LV	15.9	60	22.95	10.41	24.86	11.28	24.41	62.00	15.31	38.90	5.00	12.70
PWN-US-80LV	21.1	80	32.18	14.60	35.80	16.24	32.09	81.50	15.31	38.90	5.00	12.70
PWN-US-100LV	26.4	100	38.66	17.54	39.50	19.72	31.65	80.40	16.93	43.00	5.08	12.90
PWN-US-130LV	34.3	130	52.77	23.94	58.92	26.73	42.28	107.40	16.93	43.00	5.08	12.90
PWN-US-150LV	40.0	150	66.75	30.28	76.27	34.60	36.38	93.80	20.87	53.00	5.45	13.85